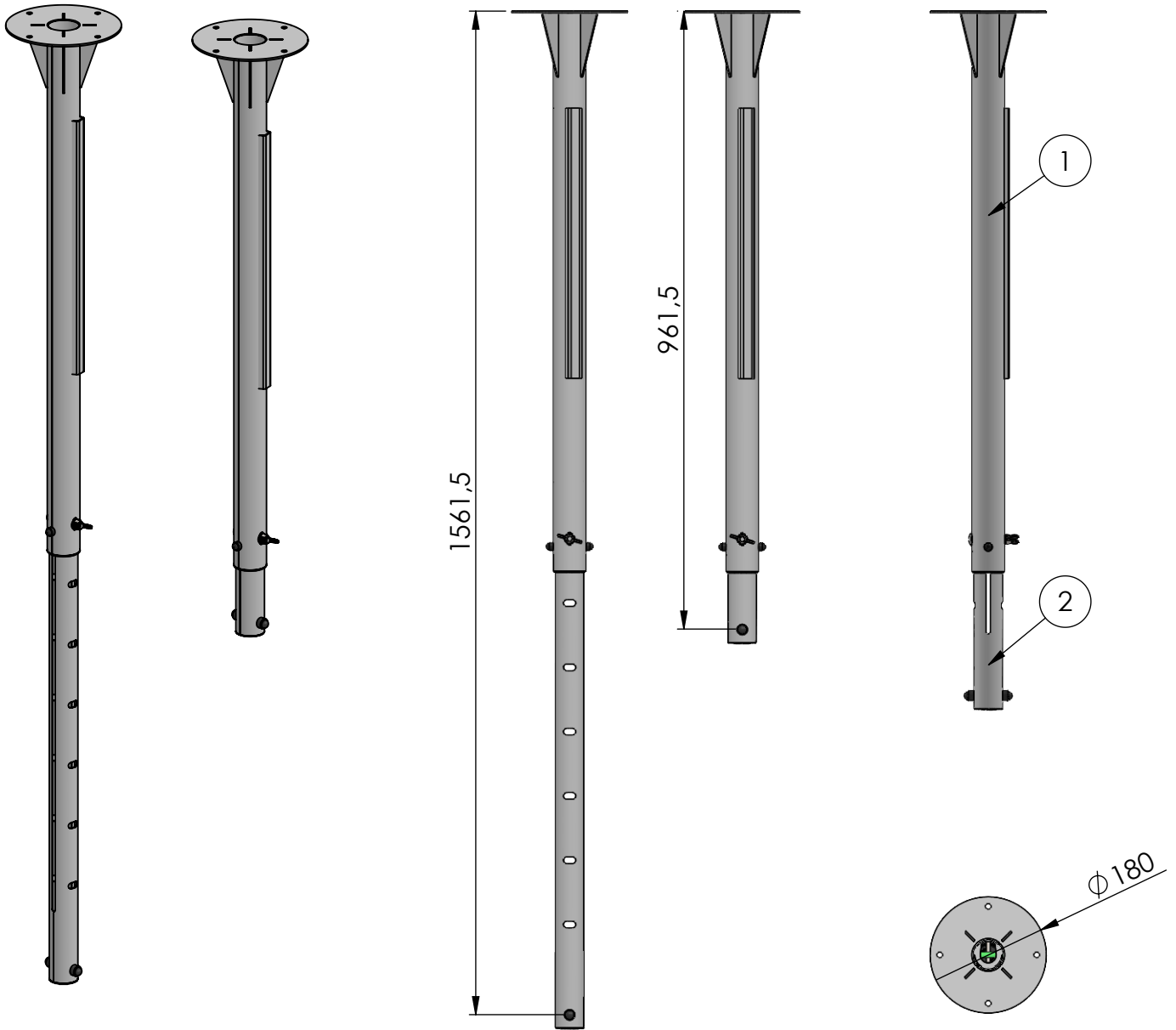

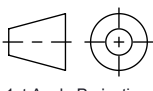


Rev.	Change	Date	Init.
A	Proto approved & P/N issued	18-08-2022	LEJ



POS	PARTNUMBER	QTY.	DESCRIPTION
1	SP2-C101007A	1	SP2 Pole 870mm height adjustable ceiling mount, Part A
2	SP2-C101007B	1	SP2 Pole 850mm, With cutout with 90mm increment

<b>Description</b> Height adjustable ceiling mounted SP2		<b>Category</b>	<b>Weight</b> 3.73 kg	<b>Revision</b> A
	<b>COPYRIGHT © ERGONOMIC SOLUTIONS 2022</b> <a href="http://www.ergonomic.solutions">www.ergonomic.solutions</a>		<b>Size: A4</b>	<b>Name</b> lej
			<b>Drawn</b>	20-06-2022
			<b>Last Update</b>	lars.enghave 18-08-2022
Unless otherwise specified tolerances according to ISO 2768-m All dimensions are in millimeters		 1st Angle Projection	<b>Drawing No</b> <b>SP2-C101007</b>	