
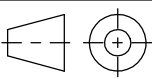


POS	PARTNUMBER	QTY.	DESCRIPTION	
1	SP1-1101U-0040	1	Pole SP1, 40mm, w/Flange, 210° Rot. slot.	
Description Pole SP1, 40mm, w/Flange, 210° Rot. slot.			Category Poles	
			Weight	
			Revision A	
	COPYRIGHT © ERGONOMIC SOLUTIONS 2020 www.ergonomic.solutions		Size: A4	
			Drawn	15-09-2014
			Last Update	pl 15-09-2014
Unless otherwise specified tolerances according to ISO 2768-m All dimensions are in millimeters		 1st Angle Projection	Drawing No SP1-1101-0040	