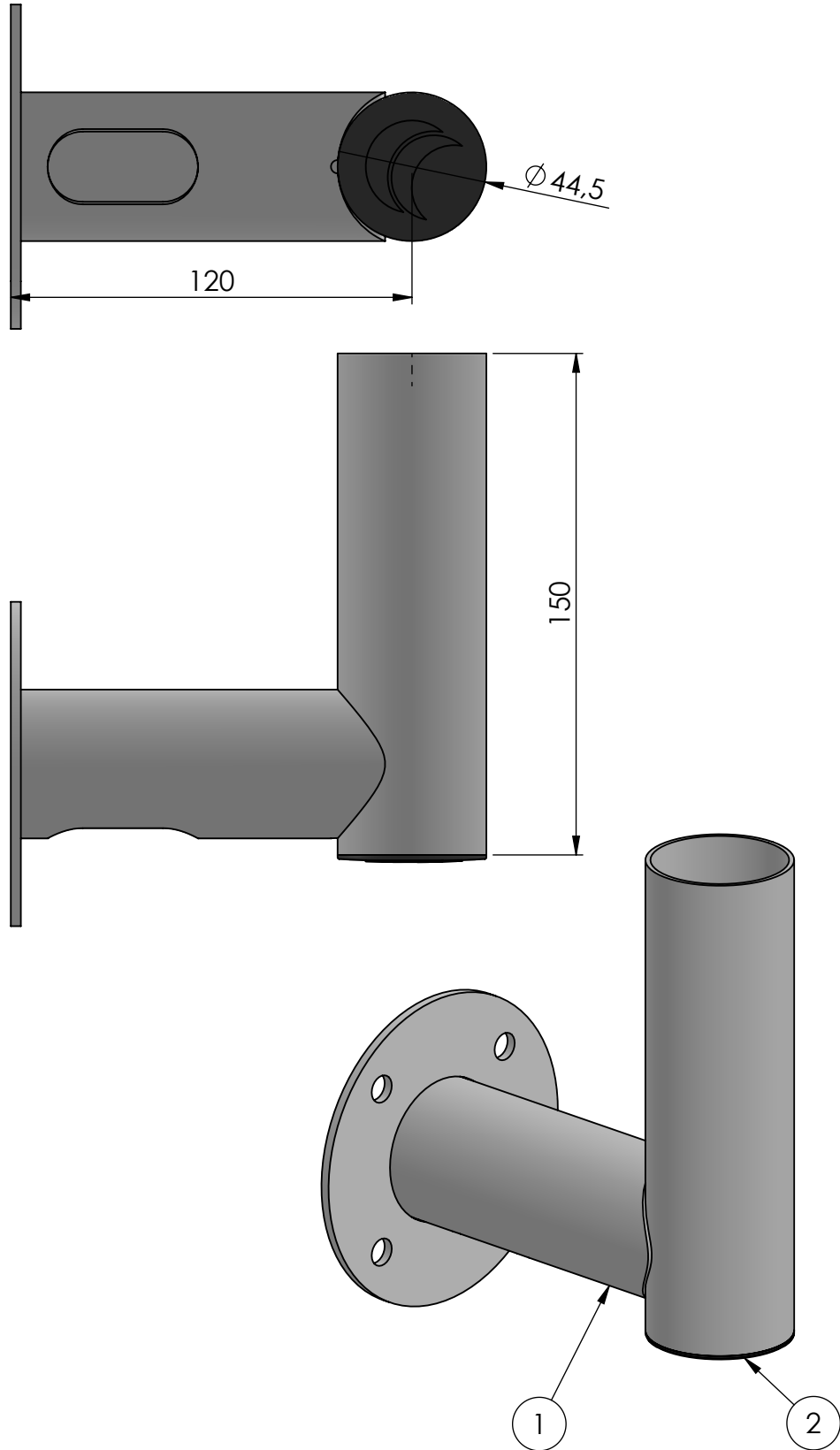

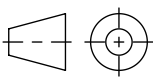


Rev.	Change	Date	Init.
A	Prototype approved and P/N issued	14-11-2022	EG



POS	PARTNUMBER	QTY.	DESCRIPTION
1	SP2-C101024U	1	SP2 120 mm wall mount with 150 mm endpole
2	SP2-P22104-02	1	SP2 End Cap with SpacePole Logo

<b>Description</b> SP2 120 mm wall mount with 150 mm endpole		<b>Category</b>	<b>Weight</b> 0.53 kg	<b>Revision</b> A
	<b>COPYRIGHT © ERGONOMIC SOLUTIONS 2022</b> <a href="http://www.ergonomic.solutions">www.ergonomic.solutions</a>		<b>Size: A4</b>	<b>Name</b> egn
			<b>Drawn</b>	26-09-2022
			<b>Last Update</b>	emil.gyldendal 14-11-2022
Unless otherwise specified tolerances according to ISO 2768-m All dimensions are in millimeters		 1st Angle Projection	<b>Drawing No</b> <b>SP2-C101024</b>	