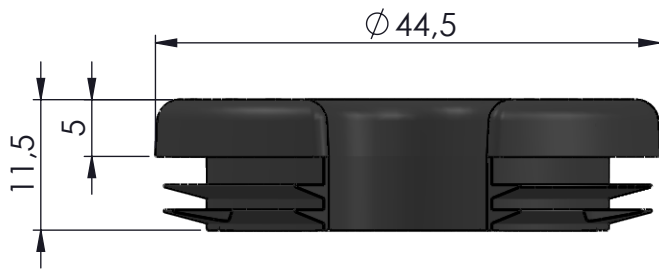
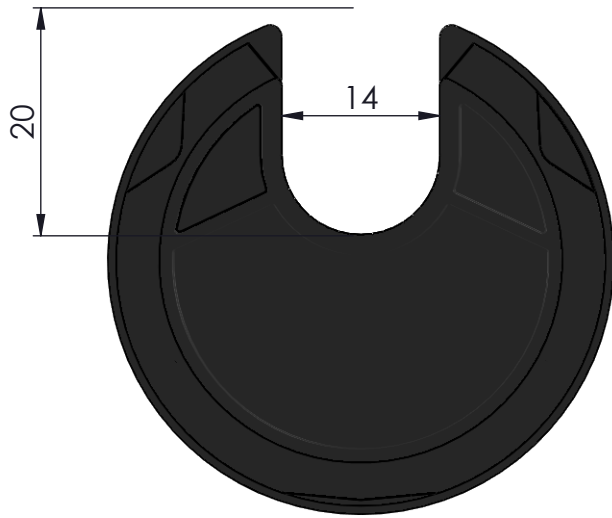

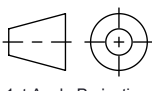


Rev	Change	Date	Int.
-----	--------	------	------



<b>Description</b> SP2 end cap with cable management		<b>Category</b>	<b>Weight</b> 0.01 kg	<b>Revision</b> B	
	<b>COPYRIGHT © ERGONOMIC SOLUTIONS 2020</b> <a href="http://www.ergonomic.solutions">www.ergonomic.solutions</a>		<b>Size: A4</b>	<b>Name</b>	
			<b>Drawn</b>	pkkr	24-08-2017
			<b>Last Update</b>	emil.gyldendal	07-12-2020
Unless otherwise specified tolerances according to ISO 2768-m All dimensions are in millimeters		 1st Angle Projection	<b>Drawing No</b> <b>SP2-P22-00100-02</b>		